

# LTS-PD-OC

## LOAD TRANSFER SOLUTIONS

Load Transfer Stations are capable of transferring products that are packaged in cases, barrels, drums, bags and pails from one pallet to another including Plastic, Chep and GMA pallets in both receiving and shipping applications. Make your next load transfer an easy one with the LTS-PD-OC from Columbia Machine, Inc.



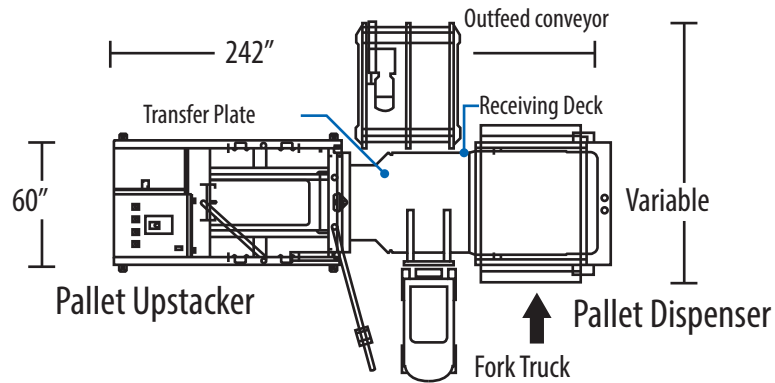
### BENEFITS

- Eliminate injury to warehouse personnel
- Streamline plant and warehouse operations
- Less wear and tear of lift trucks
- Improve plant process cleanliness
- Reduce shipping costs
- Easy-to-operate (ETO)

To view a video of the LTS-PD-OC in operation and for more information on Columbia's complete line of palletizers, please visit [www.loadtransfer.net](http://www.loadtransfer.net) or call toll-free at 1.800.628.4065 / direct at 1.360.694.1501.

## LTS WITH PALLET DISPENSER AND OUTFEED CART

The Load Transfer Station with Pallet Dispenser and Output Conveyor (LTS-PD-OC) includes the LTS, 3 chain pallet cart and pallet dispenser outfeed cart. The LTS-PD-OC operates in the same manner as the LTS-PD with the addition of automatically “discharging” the transferred load away from the machine.



### FEATURES

- Automatic pallet upstack holds up to 20 pallets
- Hydraulically actuated
- Heavy-duty construction
- Easy to operate
- 5 HP integral hydraulic power unit
- 3-strand chain powered outfeed cart
- Category 3 safety features including light curtains
- Weighs 10,000 lbs.
- 4,000 lb. load capacity
- 5 Emergency stops
- Low maintenance
- Allen Bradley PLC controls
- 230, 460 or 575 VAC power supply
- 24 VDC controls
- UL / CSA rated control panel
- Machine mounted guarding
- Overhead pivot pole cord switch
- Automatically dispenses “go to” pallet
- Panelview Plus touchscreen HMI

### OPTIONS

- Cold Climate Package: heaters for oil tank and control panel
- Automatic pallet height adjustment
- Receiving deck shim kit
- Slip sheet dispenser
- Stainless steel paint for wash down applications
- Automatic load placement adjustment: inset, flush, overhang