

HL2000

HIGH LEVEL PALLETIZER

The HL2000 high level palletizer provides a high-quality choice for budget minded operations. Featuring a small footprint of 7' x 14', soft product handling and standard side retainers for load squaring. The HL2000 is an excellent solution for low speed, multiple line layouts that require dedicated machines on a 13' centerline. The HL2000 palletizes 20 cases per minute or more, depending on case size and pallet pattern. Requiring no modification, the SP4000 can handle a wide variety of package types including cases, display packs, totes, trays, bundles, shrink film without pad, bales, plastic containers, crates, small cases and more.



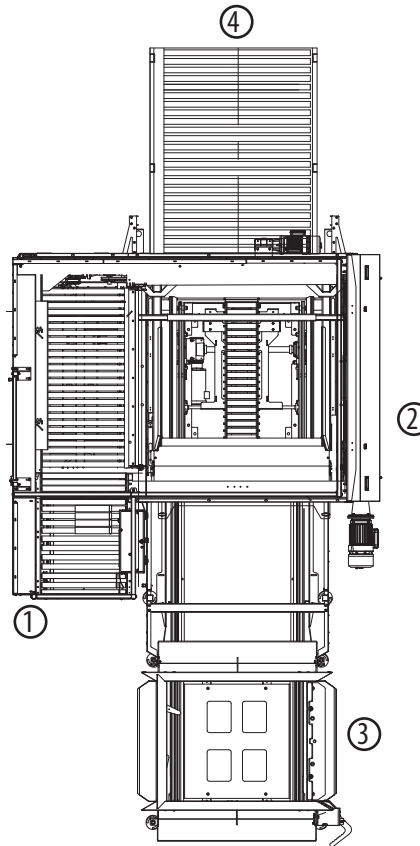
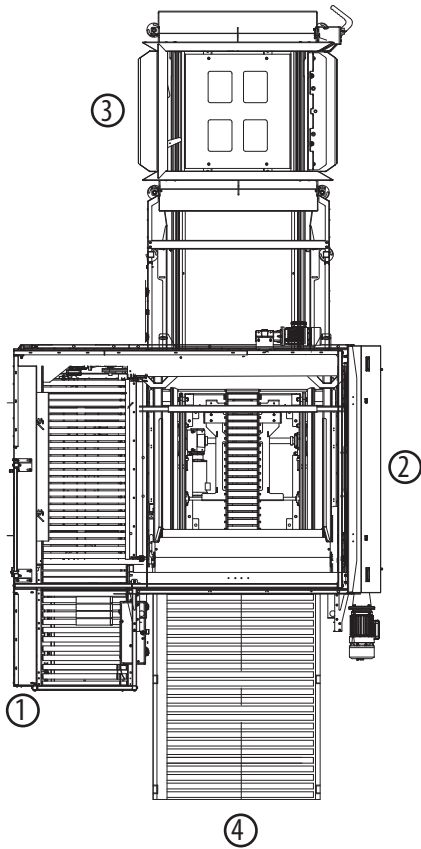
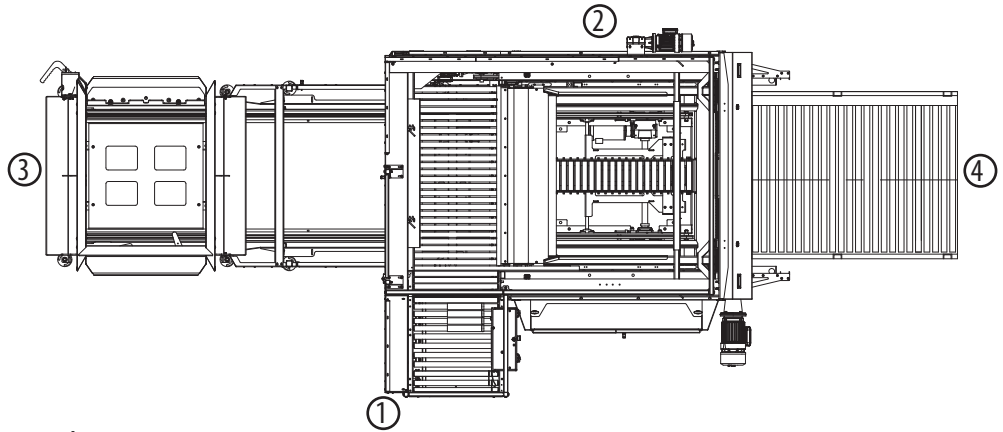
FEATURES

- Comprehensive Guard Package
- Category 3 Safety Electrical System
- Interlocked Access Doors to Load Build Area
- Full Height Light Curtains at Discharge
- Automatic Hoist Protection Pins
- Product Manager for Pattern Creation and Tuning
- Heavy Duty Sensor Mounts
- 4-Sided Pallet Stack Retention
- Stack Light / Beacon
- Smart Squeeze Technology for Misformed Layer Detection
- Fallen Case Detection
- Low Pallet Detection
- Low Sheet Detection
- Heavy Duty Construction
- 80 Pitch Hoist Chain
- Infeed Tunnel Guard
- UL Approved or CSA Certified Control Panel
- Ethernet Enabled PLC with Distributed I/O
- Online parts ordering at www.palletizing.com
- 24-Hour parts and service hotline [1.800.628.4065](tel:1.800.628.4065)

To view a video of the HL2000 in operation and for more information on Columbia's complete line of palletizers, please visit www.palletizing.com or call toll-free at [1.800.628.4065](tel:1.800.628.4065) / direct at [1.360.694.1501](tel:1.360.694.1501).

COMMON PALLETIZER LAYOUTS

- ① **Infeed**
- ② **Palletizer**
- ③ **Pallet Dispenser**
- ④ **Discharge**



OPTIONS

- Wireless controls interface
- Labels-out stacking
- Speed enhancement upgrades
- FDA accepted stainless steel paint
- Upstream and downstream conveyor and interfacing
- Discharge conveyor
- Slip / Tie / Cap sheet dispenser
- Unitizing
- Turnkey system integration
- Soft product handling
- Integrated work platform