

FL6200

HIGH SPEED FLOOR LEVEL PALLETIZER

The FL6200 combines unmatched flexibility, zero-time changeover, the precision movements of a robot with the familiar simplicity of a conventional palletizer. Enhanced performance is achieved through the integration of servo technology. Built with the highest priority on safety, the standard package includes Category 3, PLD safety system. Requiring no modification, the FL6200 can handle a wide variety of package types including cases, display packs, totes, trays, bundles, shrink film without pad, bales, plastic containers, crates, small cases and more. With the incorporation of servo technology speeds up to 100 cases per minute are achieved while still providing a very compact footprint.



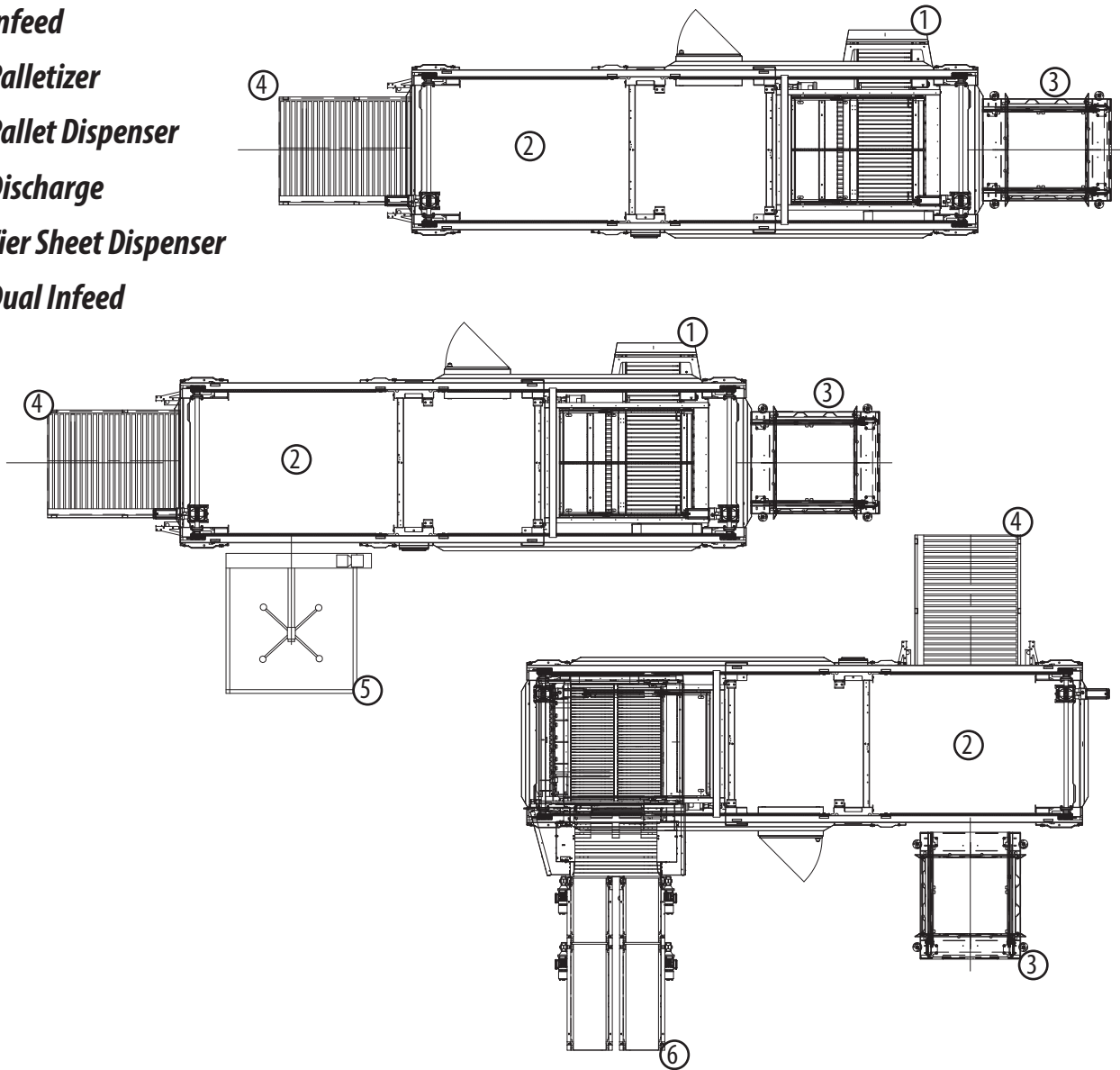
FEATURES

- Comprehensive Guard Package
- Category 3 Safety Electrical System
- Interlocked Access Doors to Load Build Area
- Full Height Light Curtains at Discharge
- Automatic Hoist Protection Pins
- Product Manager for Pattern Creation and Tuning
- Heavy Duty Sensor Mounts
- 4-Sided Pallet Stack Retention
- Stack Light / Beacon
- Smart Squeeze Technology for Misformed Layer Detection
- Low Pallet Detection
- Low Sheet Detection
- Heavy Duty Construction
- 80 Pitch Hoist Chain
- Infeed Tunnel Guard
- UL Approved or CSA Certified Control Panel
- Ethernet Enabled PLC with Distributed I/O
- Online parts ordering at www.palletizing.com
- 24-Hour parts and service hotline [1.800.628.4065](tel:18006284065)

To view a video of the FL6200 in operation and for more information on Columbia's complete line of palletizers, please visit www.palletizing.com or call toll-free at [1.800.628.4065](tel:18006284065) / direct at [1.360.694.1501](tel:13606941501).

COMMON PALLETIZER LAYOUTS

- ① *Infeed*
- ② *Palletizer*
- ③ *Pallet Dispenser*
- ④ *Discharge*
- ⑤ *Tier Sheet Dispenser*
- ⑥ *Dual Infeed*



OPTIONS

- Wireless controls interface
- Labels-out stacking
- Speed enhancement upgrades
- FDA accepted stainless steel paint
- Upstream and downstream conveyor and interfacing
- Discharge conveyor
- Slip / Tie / Cap sheet dispenser
- Unitizing
- Turnkey system integration
- Soft product handling
- Dual infeed configuration