

FL3000

FLOOR LEVEL PALLETIZER

The FL3000 floor level palletizer provides the ultimate combination of safety, performance and flexibility to handle a wide variety of package types including cases, display packs, totes, trays, bundles, shrink film without pad, bales, plastic containers, crates, small cases and more. Operating much like the FL2000, the FL3000 is able to obtain greater speeds due to the addition of a layer storage table, palletizing at 20 – 55 cases per minute, depending on case size and pallet pattern.



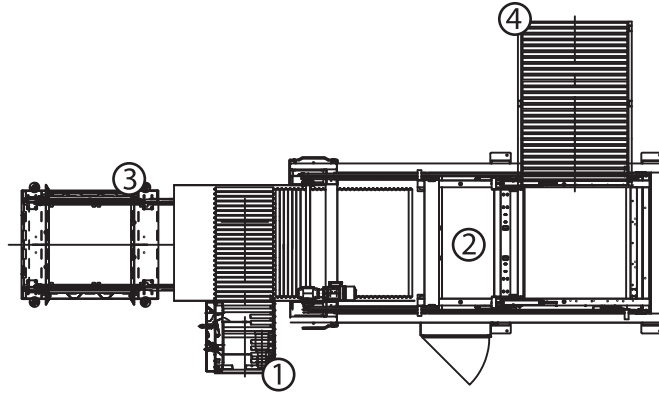
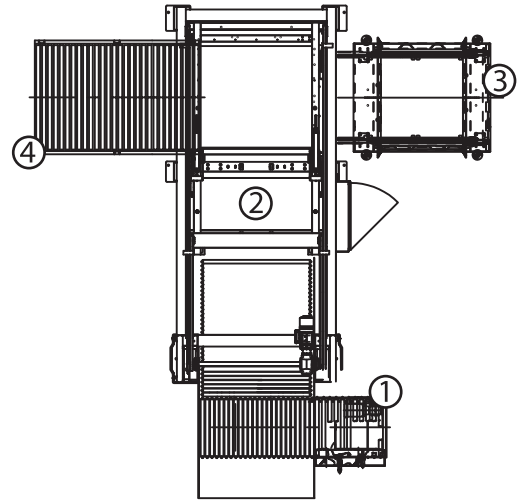
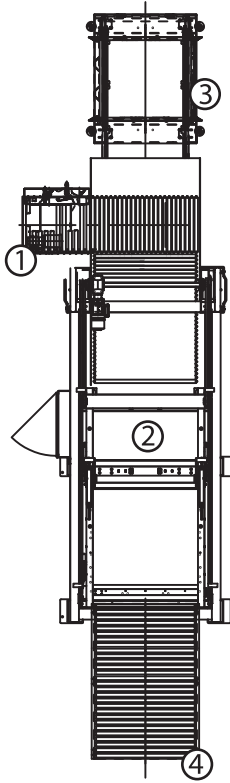
FEATURES

- Comprehensive Guard Package
- Category 3 Safety Electrical System
- Interlocked Access Doors to Load Build Area
- Full Height Light Curtains at Discharge
- Automatic Hoist Protection Pins
- Product Manager for Pattern Creation and Tuning
- Heavy Duty Sensor Mounts
- 4-Sided Pallet Stack Retention
- Stack Light / Beacon
- Smart Squeeze Technology for Misformed Layer Detection
- Low Pallet Detection
- Low Sheet Detection
- Heavy Duty Construction
- 80 Pitch Hoist Chain
- Infeed Tunnel Guard
- UL Approved or CSA Certified Control Panel
- Ethernet Enabled PLC with Distributed I/O
- Online parts ordering at www.palletizing.com
- 24-Hour parts and service hotline **1.800.628.4065**

To view a video of the FL3000 in operation and for more information on Columbia's complete line of palletizers, please visit www.palletizing.com or call toll-free at **1.800.628.4065** / direct at **1.360.694.1501**.

COMMON PALLETIZER LAYOUTS

- ① *Infeed*
- ② *Palletizer*
- ③ *Pallet Dispenser*
- ④ *Discharge*



OPTIONS

- Wireless controls interface
- Labels-out stacking
- Speed enhancement upgrades
- FDA accepted stainless steel paint
- Upstream and downstream conveyor and interfacing
- Discharge conveyor
- Slip / Tie / Cap sheet dispenser
- Unitizing
- Turnkey system integration
- Soft product handling